

Multiple Unit Controller and Expansion Module



Certified to NSF/ANSI
Standard 350



Main Panel



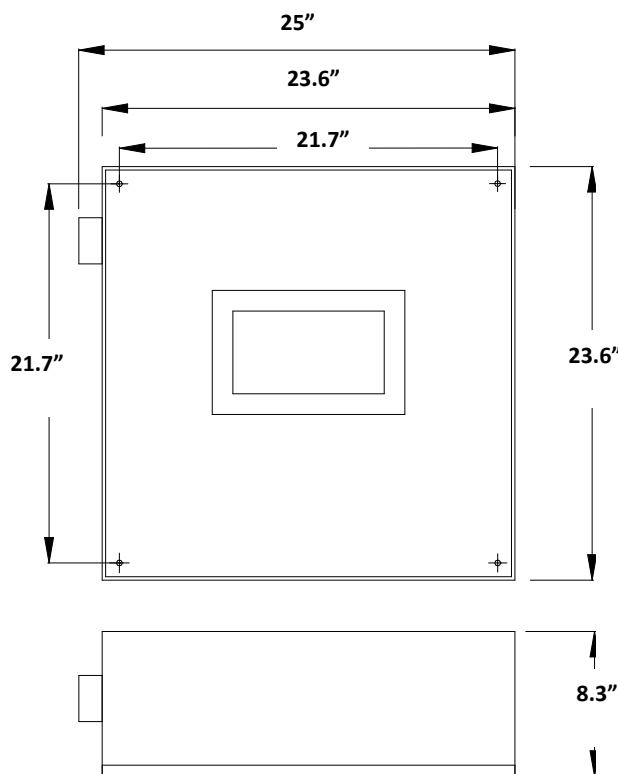
Expansion Module

Description

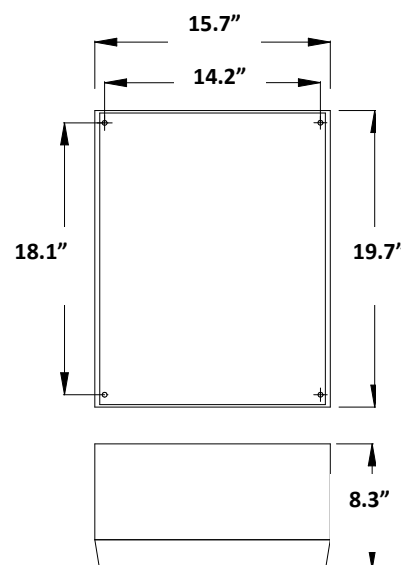
AQUALOOP multiple unit controller from INTEWA performs all control functions for greywater treatment and monitoring for systems with two or more GW1800L or GW5400L units. The main controller operates up to 3 Aqualoop units. Each expansion panel operates an additional 3 units. Up to 6 expansion units can be used so that up to 21 Aqualoop units can be controlled in total by the system. The controller is housed in a compact wall mounted enclosure with a local touch screen interface. The controller has Modbus or BacNet connectivity to building management systems as well as full remote control, monitoring, and programming capability through encrypted HTTPS connection or VPN. .

SPECIFICATION SHEET

Panel Dimensions



Main Controller



Expansion Module

Multiple Unit Controller

Specifications

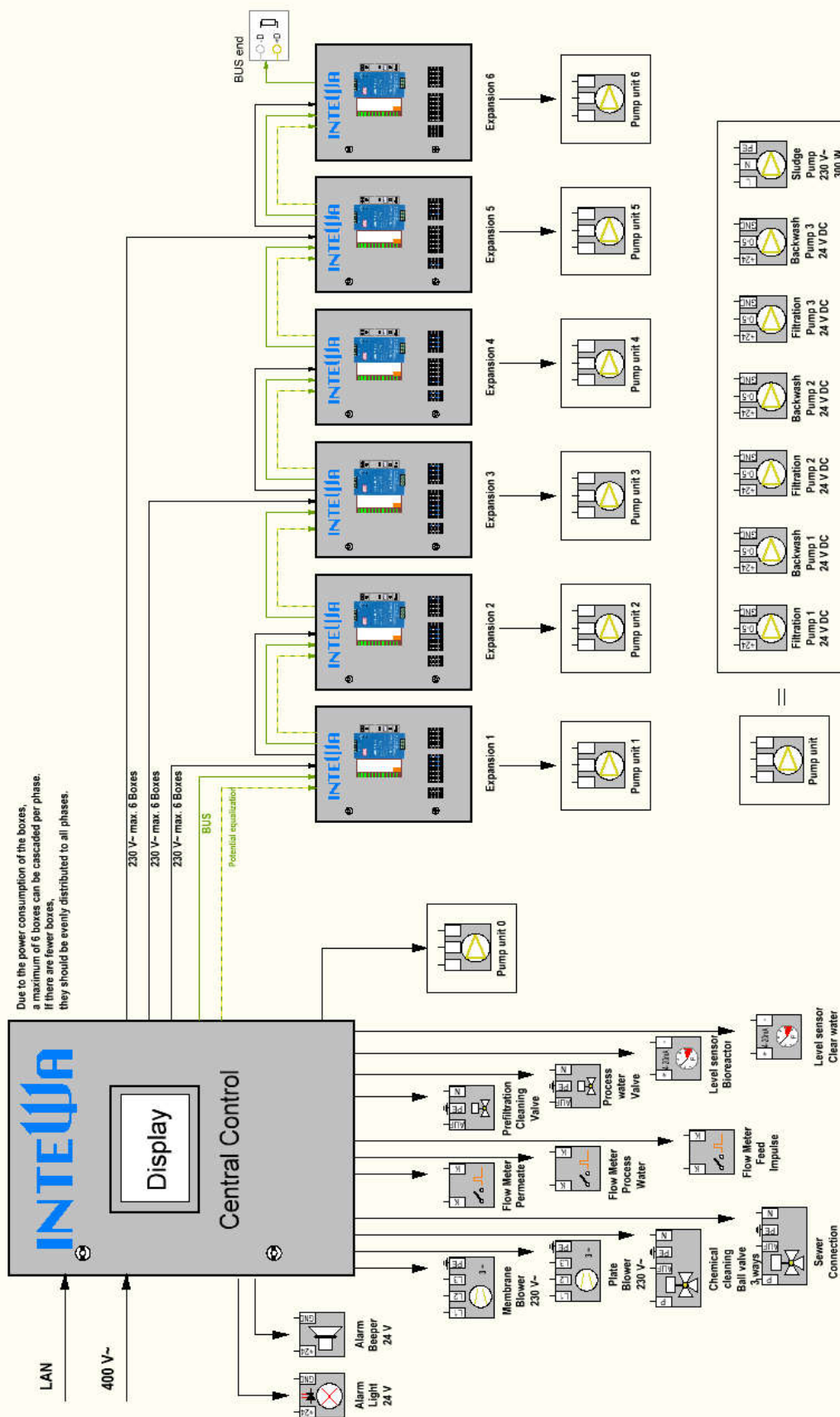
SPECIFICATION SHEET

<i>Specifications Main Interface and Controller</i>	
Dimensions (H x W x D):	23.6" Width x 23.6" Height x 8.3" Depth
Main Power Supply:	230 / 400 V AC / 50-60 Hz
Power Outputs (230 V AC, Single Phase):	
Blowers	230 V AC /Single Phase/50-60 Hz
Sludge Pump	
Ball Valve (3 way)	
Solenoid Valve (2 way)	
Auto-CIP	
Low Voltage Outputs (24V DC):	
Filtration Pump:	24 V DC
Backwash Pump	
Warning Light (Red)	
Audible Alarm	
Low Voltage Outputs (12V DC):	
Controller Display	12 V DC
Signal Inputs:	
Level Sensor, Bioreactor	4 - 20 mA
Level Sensor, Holding Tank:	4 - 20 mA
Transfer Water Meter	Pulse Output or 4 - 20 mA
Other:	
Bus Connection (to Expansion Controller)	OUT
Interface	RJ45
Display Size	10", Resistive, Touch Screen
Protection Type	IP 41 (NEMA 2 Equivalent)
Material Enclosure Case	Sheet Steel
BMS Connectivity	BacNet or Modbus
Remote Monitoring and Control Protocol	Encrypted HTTPS connection or VPN

<i>Specifications Expansion Module</i>	
Dimensions (H x W x D):	19.7" x 15.7" x 8.3"
Power Supply from Central Controller (up to 5)	230 V AC /Single Phase/ 50-60 Hz
Power Outputs (230 V AC, Single Phase):	
Sludge Pump	230 V AC/Single Phase/50-60 Hz
Low Voltage Outputs:	
Filtration Pump (Up to 3)	24 V DC
Backwash Pump (Up tp 3)	
Other:	
Bus Connection:	IN/OUT
Protection Type	IP 41 (NEMA 2 Equivalent)
Material Enclosure Case	Sheet Steel

Multiple Unit Controller

Layout Schematic



Multiple Unit Controller

Technical Overview

- *Designed for Commercial, large scale greywater recycling operations*
- *Electronics UL listed under UL 508A (marked with UL Panel Label)*
- *Enclosure IP41 rated*
- *Main controller operates up to 3 GW1800L or GW5400L units*
 - *Filtration Pumping*
 - *Backwash Pumping*
 - *Tank Levels*
 - *Aeration*
 - *Sludge Removal*
 - *Automatic Clean-In-Place (CIP)*
- *Expansion modules operate and additional 3 GW1800L or GW5400L units with up to 6 expansion modules.*
 - *Sludge Pump*
 - *Filtration*
 - *Filtration Pumping*
 - *Backwash Pumping*
- *Connectivity through Modbus or BacNet to building management systems*
- *Full remote monitoring and programming capability through smart devices, internet – subscription based.*
- *See AQUALOOP manual for details of control, installation, and maintenance.*

SPECIFICATION SHEET

Interface Home Screen

INTEWA Aqualoop

Current Process: **Filtration**
Runtime: 78 s

Next Process: **Break 1**

19.06.2019 Date
16 : 34 Time (local)

Days until next maintenance: **158**
Last maintenance on: **23.04.2019**

Fill level bioreactor	62 %
Filling level clear water	30 %
Volume flow rate permeate	0 l/min
Today's daily throughput	6791 l/d
Ø Throughput	219 l/d
Counter (Permeat):	6,79 m³
Chem. Clean. (today):	0
Chem. Clean. (total):	47

Controlling

Overview

www.intewa.de English Version 0.98

Bioreactor Clear water tank