

Description

The Aqualoop fully automatic membrane cleaning system is automatically controlled by the Intewa Connect central control unit. This advance and automatic maintenance further reduce need for human intervention in the already low maintenance Aqualoop system. Frequency of cleaning depends on throughput and other design parameters, but human intervention is still greater than 6 months to fall within NSF 350 requirements. Metering pumps dose the system in a sequence of descaling and cleaning when sensors within the system indicate a cleaning is necessary. The system goes off-line automatically for cleaning and goes back on line when cleaning is complete.

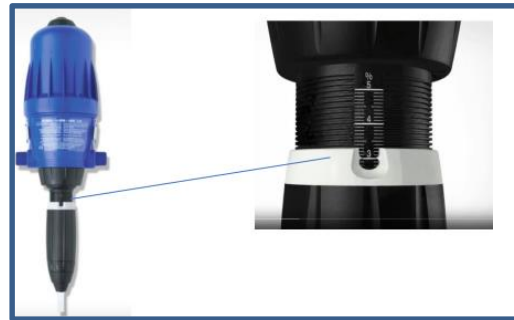
Specification

Specifications	
Model Number	A-CIP
Descaling Pump Input Voltage	24 V DC
Chlorination Pump Input Voltage	24 V DC
Valve Input Voltage	24 V DC
Water Hardness Requirement for Descaling	>100 PPM CaCO ₃
Equipment Mounting	Wall Mount
Mounting Panel Length	43"
Mounting Panel Height	29"
Descaling Acid Cleaning Solution	Citric Acid
Membrane Cleaning Solution	Sodium Hypochlorite
Dosing Tank Size	15 to 40 Gallons (Depending on System Size)

Notes:

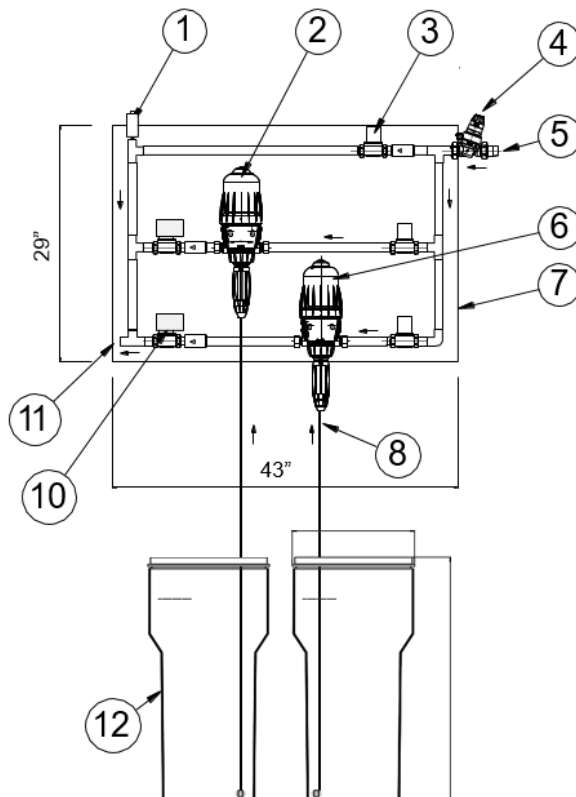
1. Power supply comes from Aqualoop Intewa Connect Controller.
2. Descaling is not required for soft water.

- *The Aqualoop fully automatic membrane cleaning system is automatically controlled by the Intewa Connect central control unit.*
- *The required daily treatment flow rate setpoint is entered in the multi controller menu. If the value falls below this value on four consecutive days, automatic cleaning in place (CIP) is activated.*
- *Dosing pump flow is set directly on the pump.*
- *The bioreactor is drawn down to minimum level with the sludge pump*
- *A chemical cleaning with citric acid for descaling is carried out if local water hardness is >100 PPM CaCO₃. This cycle takes 2 hours.*
- *After a rest phase of 1 hour, the chemical dosing with chlorine takes place. This cycle also takes 2 hours.*
- *After approximately 6 hours, the system returns to full treatment mode.*
- .



Easy adjust dosing pump setting

System Schematic



1. Air release valve
2. Dosing unit cidric acid
3. 2/2 solenoid valve
4. pressure reducing valve
5. Dilution water inlet connection 1"
6. Dosing unit chlorine
7. Wall Mounting Plate
8. Suction hose chlorine concentrate
9. Suction hose citric acid concentrate
10. 2/2 ball valve
11. Cleaning solution, outlet connection 1"
12. Chemical Tanks